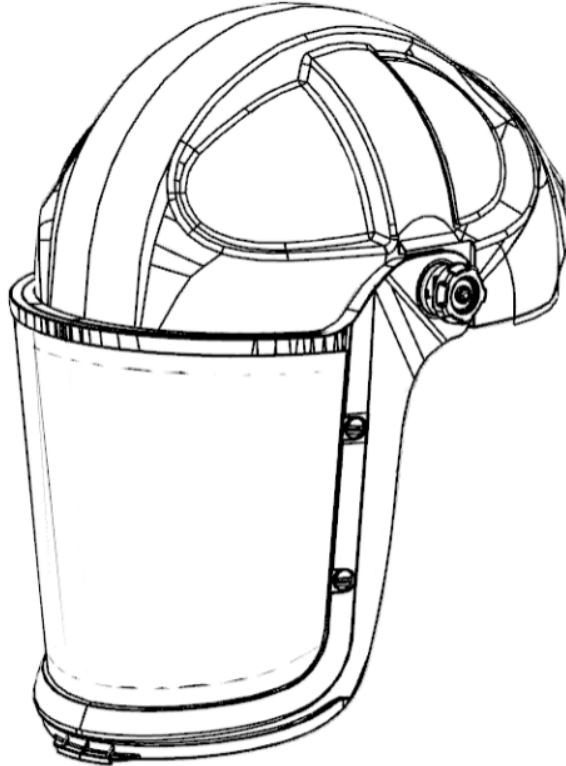


# PAPR HOOD USER MANUAL



## 1. Description:

This protective hood provides protection for the user's head and face. Eye and face protection in accordance with EN166, providing splash and impact protection to grade F, equivalent to the impact protection of safety glasses.

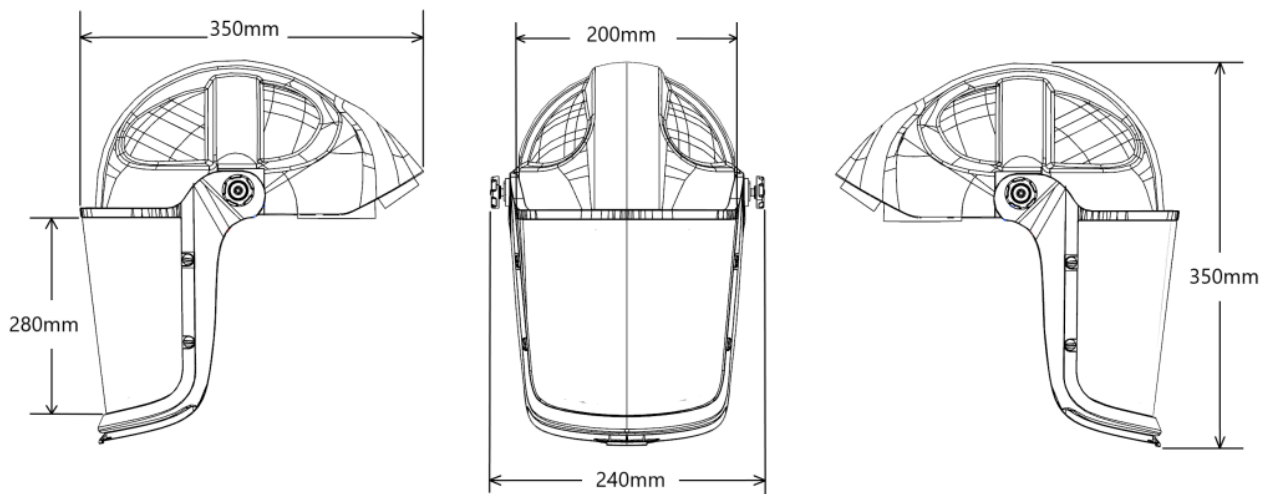
## 2. Application industries:

Public health, personal protection, metallurgy/grinding, machining, chemical industry, laboratory/Research Institute, military/government, transportation manufacturing, automobile manufacturing, shipbuilding, construction etc.

## 3. Notes:

- Not suitable for oxygen-deficient environments. An oxygen concentration in air below 19.5% is considered an oxygen-deficient condition.
- Not suitable for environments where the concentration of harmful substances reaches IDLH (Immediately Dangerous to Life or Health) levels.

## 4. Specifications:



Size		L: 35cm / W: 24cm / H: 35cm
Weight		0.84kg
Visor	Size	L: 20cm / W: 28cm
	Material	PC
Holder material	Helmet	ABS
	Frame	PA
Protective Class		F

## 5. User Guidance:

### 5.1 Preparation before use:

- Take out the product from the package, observe whether it is damaged, contaminated, broken or other phenomena, if any, it needs to be cleaned or replaced.
- Then tear off the protective film on both sides of the visor.

### 5.2 Start using:

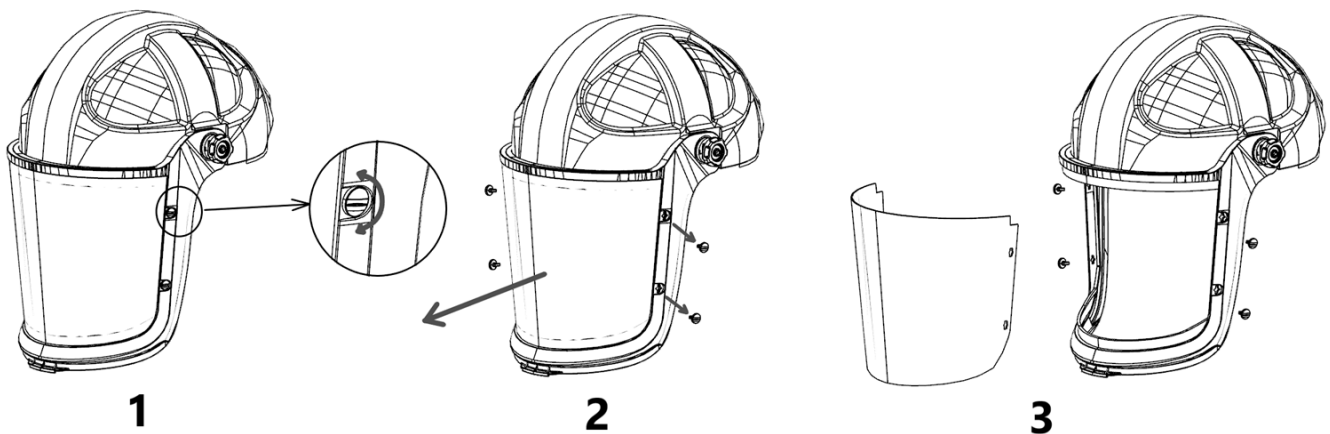
- Connect the hood to our PAPR Belt Mounted Unit with the correct air hose, turn on the power supply of the PAPR Unit ,confirm that there is airflow inside the hood.
- Gently pull the elastic belt of the shield, place it under chin, then place the hood on your head, fit the elastic band to the face, and adjust the tightness of the headband until firm but comfortable.
- Adjust the air supply volume of the PAPR Unit to suit.

### 5.3 After use:

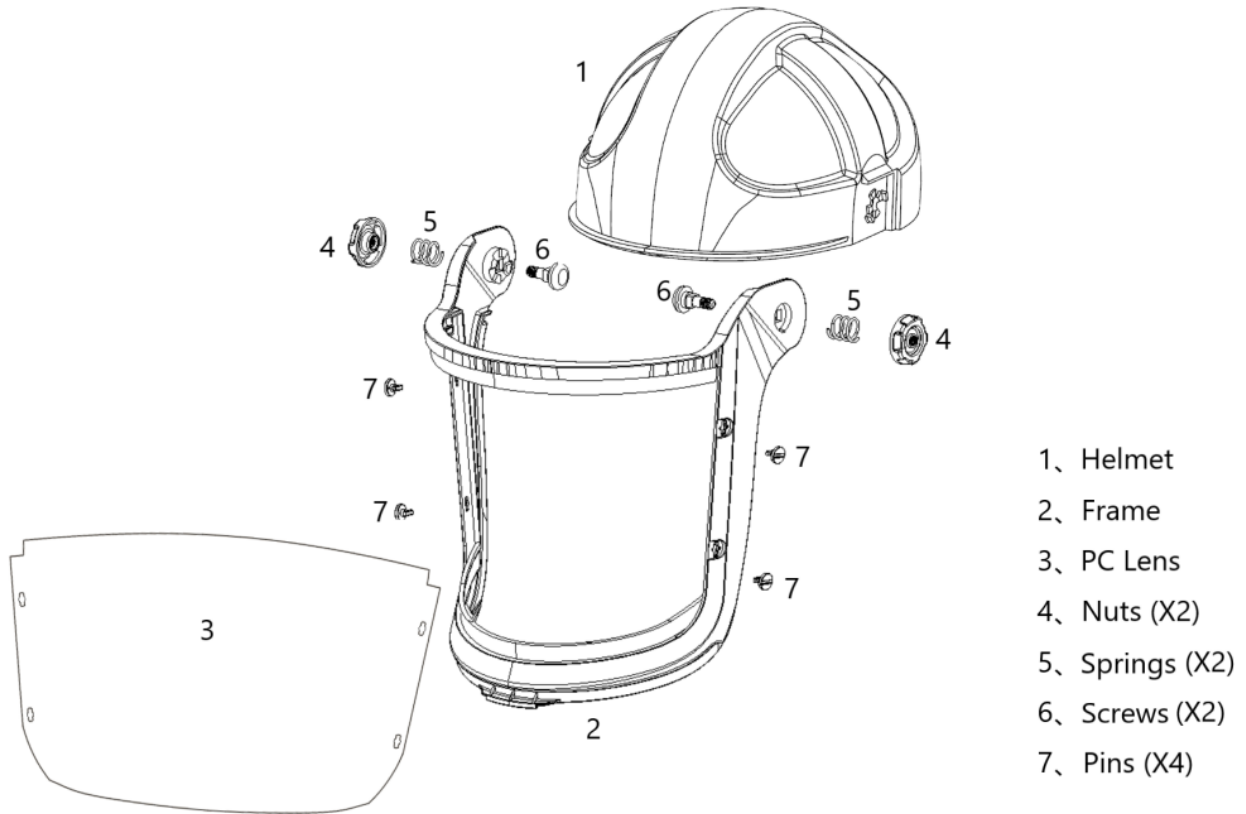
- After use, remove the hood, turn off the power supply, remove the connecting air hose.
- Carry out necessary cleaning, disinfection and sterilization treatment for all parts of the hood.

### 5.4 Replacement of the transparent visor:

First of all, use a screw driver or coin to rotate the pin clockwise or anticlockwise by 90° and push out the pin from the inside. After four pins are removed, the transparent screen is pushed out from the inside to complete the disassembly. Take out a new transparent visor, bend it into a certain arc, insert it into both sides of the frame, align the four holes, and finally insert the pins, rotate them 90° to lock again.



## 6. THE PARTS LIST OF THE HELMET



## 7. Risk warnings:

- This product must be used together with our PAPR Belt Mounted Unit.
- It is not recommended to share this product with other users due to risk of contamination and spreading of diseases.



**CID Trading Limited**  
Friden House  
Unit 1 Clayton Wood Bank  
Horsforth  
Leeds  
LS16 6QZ

Tel: 0113 201 1340  
Email: [sales@cidgroup.co.uk](mailto:sales@cidgroup.co.uk)  
Web: [www.cidgroup.co.uk](http://www.cidgroup.co.uk)